

INLGB016180WF

16MP 180° OmniView Network Camera

- High quality image with 16MP, 1/1.8" CMOS sensor
- Alarm 2 in and 1 out, Audio 1 in and 1 out
- H.265+ & H.264 encoding
- Built-in fan, allows dissipating heat and eliminating the mist of window
- Smart IR, up to 50m (164 ft) IR distance
- Supports Micro SD Card, up to 256GB
- Stitched Image

Unify your Security Solution

You asked, we listened. Tailored especially for you, Legend is our **fully NDA compliant brand**. It offers our latest technologies in a robust build with edge storage capacity. Legend by Inaxsys provides H.265+ compression and easy installation.

Smart H.265+ & H.264+

LEGEND smart encoding technology provides high-quality video with higher efficiency and also reduces the cost of storage space and transmission bandwidth by adopting an advanced algorithm of auto stream control.

Smart IR

SmartIR is a feature that enhances the infrared capabilities of a device by adjusting the intensity and focus of the IR LEDs to optimize the image quality for objects at different distances. With a range of up to 50 meters (164 feet), this feature enables the device to capture clear and detailed images even in low-light or nighttime conditions.

*Design and specifications are subjects to change without notice.



**NDA
Compliant**



INLGB016180WF

Product Specifications

16MP 180° OmniView Network Camera

Camera					
Image Sensor	1/1.8" progressive scan, 4.0 megapixel, CMOS				
Scanning System	Progressive				
Electronic Shutter Speed	Auto/Manual, shutter time: 1 s ~ 1/100,000 s				
Minimum Illumination	Colour: 0.001 lux (F1.6,AGC ON) 0 lux with IR				
S/N Ratio	More than 56dB				
IR Distance	Up to 50m (164ft) IR range				
Wavelength	850nm				
IR On/Off Control	Auto/Manual				
Wide Dynamic Range	DWDR				
Camera Features					
Day/Night	IR-cut filter with auto switch (ICR)				
Backlight Compensation	Supported				
White Balance	Auto/Outdoor/Fine Tune/Sodium Lamp/Locked/Auto2				
Noise Reduction	2D/3D DNR				
HLC	Supported				
Defog	Digital Defog				
Privacy Masking	Up to 8 areas(8 blacks/8 mosaics)				
OSD	Up to 8 OSDs				
Smart IR	Supported				
ROI	Up to 8 areas				
Flip	Normal/Flip Vertical/Flip Horizontal/180°				
Lens					
Lens Type	4 × 2.8mm lens				
Iris	F1.6				
Viewing Angle	H: 180°; V: 90°; O: 221.4°				
DORI Distance	Lens (mm)	Detect	Observe	Recognize	Identify
	2.8	63.0(206.7ft)	25.2(82.7ft)	12.6(41.3ft)	6.3(20.7ft)
Video					
Compression	H.265+ / H.265 / H.264 / MJPEG				
H.264 code profile	Baseline profile, Main profile, High profile				
Frame Rate	Main Stream: 4800 × 2688, Max. 30 fps				
	Sub Stream: 2688 × 1520, Max. 30 fps				
	Third Stream: 1280 × 720, Max. 30 fps				
Bit Rate	128 Kbps ~ 16 Mbps				
Alarm					
Alarm I/O	2/1				

*Design and specifications are subjects to change without notice.



INLGB016180WF

Product Specifications

16MP 180° OmniView Network Camera

Network	
Network	10M/100M/1000M Base-TX Ethernet
Protocol	IPv4, IGMP, ICMP, ARP, TCP, UDP, DHCP, PPPoE, RTP, RTSP, RTCP, DNS, DDNS, NTP, FTP, UPnP, HTTP, HTTPS, SMTP, 802.1x, SNMP, QoS, RTMP
Compatibility	ONVIF (Profile S, Profile G, Profile T), API
Web Browser	Plug-in required live view: IE9+, Chrome 41 and below, Firefox 52 and below
Management Software	LEGEND VMS, Arkiv
Audio	
Audio I/O	Input: impedance 35kΩ; amplitude 2V [p-p]
	Output: impedance 600Ω; amplitude 2V [p-p]
Audio Compression	G.711U, G.711A
Suppression	Supported
Sampling Rate	8KHZ
Two-way Audio	Supported
Storage	
Edge Storage	Micro SD slot, up to 256 GB
Network Storage	ANR, NAS(NFS)
Events	
General Function	Watermark, IP address filtering, access policy, ARP protection, RTSP authentication, user authentication
Certifications	
EMC	CE-EMC (EN 55032: 2015+A1:2020, EN 61000-3-3: 2013+A1: 2019, EN IEC 61000-3-2: 2019+A1: 2021, EN 55035: 2017+A11:2020) FCC (FCC CFR 47 part15 B, ANSI C63.4-2014)
Safety	CE LVD (EN 62368-1:2014+A11:2017) CB (IEC 62368-1:2014) UL (UL 62368-1, 2nd Ed., Issue Date: 2014-12-01)
Environment	CE-RoHS (2011/65/EU;(EU)2015/863); WEEE (2012/19/EU); Reach (Regulation (EC) No 1907/2006))
General	
Power Supply	AC24V±25%/DC24V±25%, PoE(IEEE 802.3at)
Power Consumption	Less than 34W
Working Environment	-40° C to +70° (-40°F ~ 158°F) / Less than 95% RH (non-condensing)
IP & IK	IP67
Weight	2.271kg(5.01lb)
Dimensions	258.8mmx211.0mmx115.0mm (10.2"×8.3"×4.5")

*Design and specifications are subjects to change without notice.



INLGB016180WF

Product Specifications

16MP 180° OmniView Network Camera

16 MP Main Stream is only Compatible with the following NVRs:
INLG128KN; INLG256KN

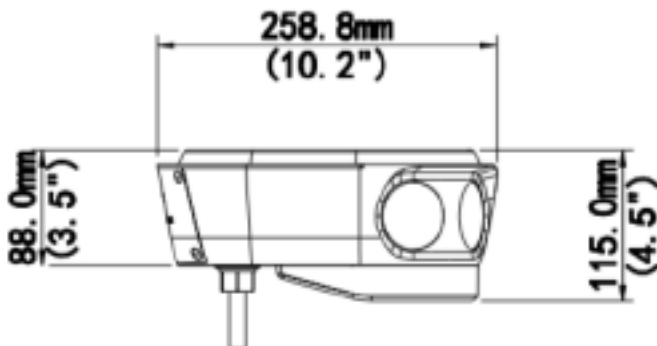
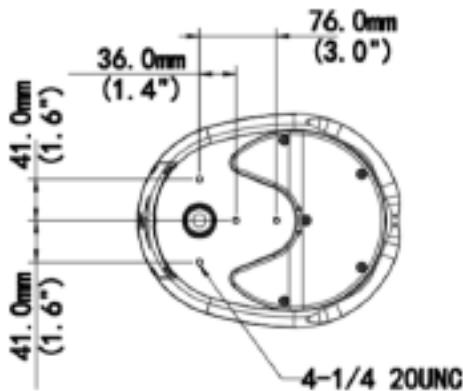
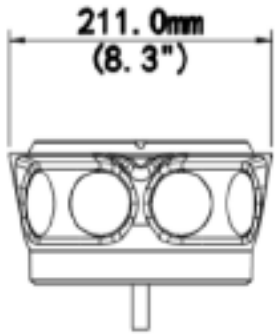
10 MP Stream is only Compatible with the following NVRs:
INLG324KN; INLG32164KN



XLGJB07-D
Junction Box



XLGUP06-C
Pole Mount



XLGUV06-C
2D Bracket
Mount



XLGCM06-C
Pendant
Mount



XLGWE45-D
Wall Mount



VUSD256G
Micro SD Card

*Design and specifications are subjects to change without notice.

